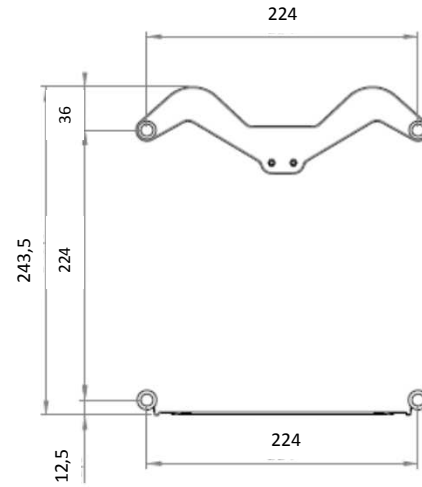
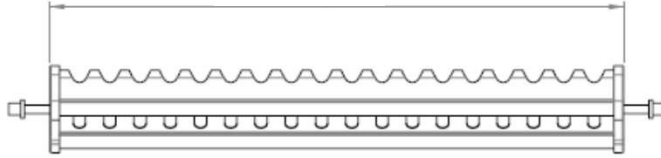
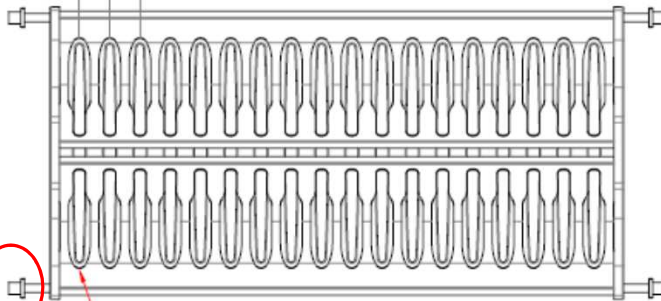


474mm / 555170
624mm / 570170
774mm / 585170



25 25



Dimension de perçage
Drilling dimension
Diam. : 10mm
Depth : 8mm

