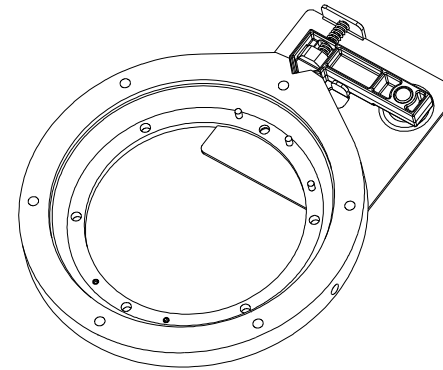


	A	B	C
SBS-7	7.00 [177,8]	3.220 [81,79]	2.422 [61,52]
SBS-10	10.00 [254]	4.720 [119,89]	3.922 [99,62]



SCALE 0.500

CUSTOMER DRAWING

This drawing is the property of Rev-A-Shelf (RAS) and is disclosed in confidence to the extent its subject matter is original to RAS. Any vendor receiving this drawing from RAS shall hold and use this drawing for the sole benefit of RAS and shall not disclose it to, or use or reproduce it for any third party, or perform any act adverse to the interest of RAS with respect to this drawing without the express written permission of RAS. Vendors shall not revise any physical, dimensional or performance characteristic unless authorized by Rev-A-Shelf Engineering.

REV.	DATE	BY	DESCRIPTION OF CHANGE

INCH [MM]	AMERICAN PROJECTION	BY KRR	DATE 1-25-17	REV-A-SHELF INC.
				SIZE B
MATERIAL		DRAWING NO. SBS-X-CUST		SCALE 1.000
FINISH		PART NO. SEE CHART		SHEET OF 1 1

MAT. (WOOD) .XX ±.03 [.8mm] (OTHER) .XX ±.02 [5mm] (ALL) .XX ±.005 [13 mm] FRACTIONS ±1/32 [.8 mm]	DEC.	ANGLES ±1/2°	TOLERANCES
--	------	-----------------	------------